

Mini Switch

– OPTO.0029 –

Data sheet Mini Switch OPTO.0029

Applications

- Manufacturing
- Cooling machines

Special features

- Replaced the electrical part without opening the tank
- Screw-in part with the glass prism remains at the tank
- Operating status is monitored by an LED on the device

Description

The Mini Switch is used for monitoring of liquid levels.

The unit contains an infrared LED and a photo-transistor. The LED light is irradiated into a prism. As long as the sensor tip of the prism is in the gaseous phase, the light is reflected within the prism to the receiver. If the liquid level in the tank rises and covers the tip, the infrared light is broken at the liquid surface and only a small part reaches the receiver. This difference is evaluated by the electronics and initiates a switching process.

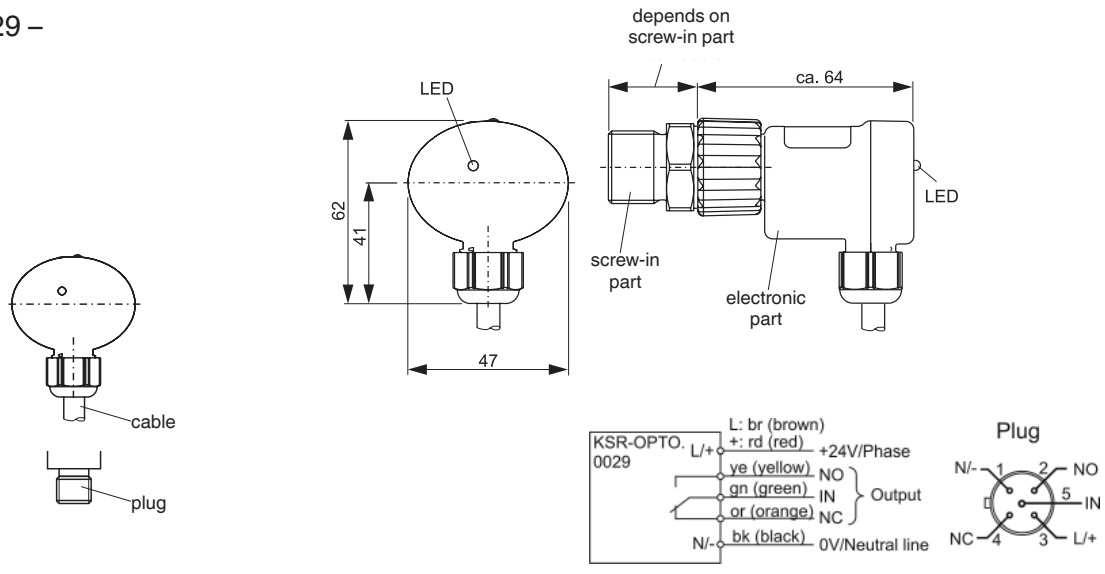


Version with screw-in part M20x1,5



Mini Switch

– OPTO.0029 –



Mini Switch	
Material	<ul style="list-style-type: none"> - Electronic housing: PA66, fiber reinforced - Screw-in part: Steel nickelized - Prisma: Soda-lime glass or borosilicate glass
Mounting housing to screw-in part	Union
Light source	IR-light 930 nm
Ambient light	max. 500 Lux
Medium temperature	-30 °C ... +120 °C
Ambient temperature	-30 °C ... +60 °C
Operating pressure (screw-in part)	42 bar
Wight (without screw-in part)	80 g
Mounting direction	Horizontal
Minimum distance sensor tip to any opposite wall	>10 mm
Indication	Red LED
Blink code to signal the operating status	see manual
Turn-on-time (fix, factory setting)	ca. 1 s, other up to 12 s on request
Supply	110 ...230 VAC ± 15 % 50 ... 60 Hz, 24 V DC ± 15 %
Supply current max.	ca. 22 mA
Output relay	SPDT
Switch-voltage, -current,- power	250 VAC, NC=5 A, NO=7 A, 1750 VA12/W
Cable	5x0,75 mm ² , L=2 m, colour coded
Mech. lifetime	ca. 10 ⁵ switch cycles
Ingress protection acc. to EN 60529 in mounted condition	IP 54

Subject to alterations